

+ 134:23:454:12

23:35:60 134:23:4

italian design
design italiano

wide range of products
vasta gamma di prodotti

innovation
innovazione

technology
tecnologia

Business Strategy

Marketing
Management
Logistics
Finance
Human Resources

WWW.SOCAGE.IT

PRESENTATION SOCAGE

SOCAGE
PIATTAFORME AEREE DA 10 A 75 METRI

HISTORY – THE PAST

1974

↳ SO.CA.GE. 'SOcietà di CARpenteria GEnérale' was born; manufacturing of metallic components;

1987

↳ SOCAGE-Fassi GROUP - production of aerial work equipment;

1981

↳ One of the first Italian manufacturers of aerial work platforms;

2009

↳ The year of the change – CEO **Fiorenzo Flisi**, + 55% turnover in a year.



Mr. Fiorenzo Flisi,
CEO of Socage

HISTORY – THE PRESENT

THE SEATS

SORBARA

Headquarter



SAN FELICE

Production plant



THE INVESTMENTS:

- Training courses
- 500.000 euros have been invested in a new and upgraded 3D Design Software: this allows to carry out stress analysis on individual components before producing them, and to use optimized materials for a greater performance of the platform as a whole.

In 2012 was born the forSte restyling:

more than 100 changes have been made in order to improve the aesthetical appearance and the performance of the platforms.

forSte.it

CERTIFICATIONS



100% QUALITY



TECHNOLOGICAL INNOVATION

Socage grants a constant **technological innovation** thanks to leading performances, a wide range of products and Italian design

Two ways of realizing it

- 1) INTERNALIZE know-how & production processes;
 - 2) ESTERNALIZE installation & mounting phases (Dealers)
- Technological innovation → new working method (Welser) and an internalised fab shop;
 - New products → serie 4 – series E – van
 - Socage social committment

2-years-lasting project and cooperation → new way of building aerial work platforms – groundbreaking idea of starting from **profiles** and not from metal sheets → new materials never used before from platforms producers

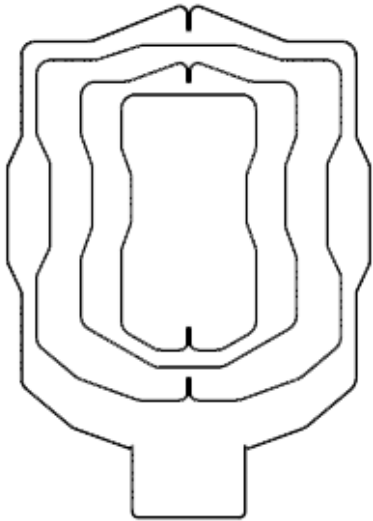


TECHNOLOGICAL INNOVATION

Goal → in house fab shop to check the whole production process and be able to decide from the very beginning - faster & more fluid communication – higher quality

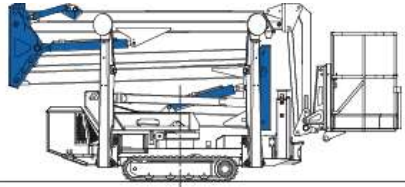
30/05/2015 – TECHNOLOGICAL INNOVATION RESULTS

Socage buys CATT – company specialized in fab shop, metal sheet and robot welding

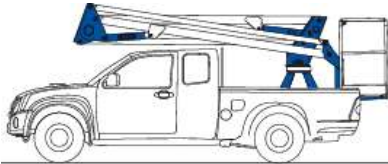


- New profile system with more complex sections, through a single welding process;
- New series.

PRODUCTS



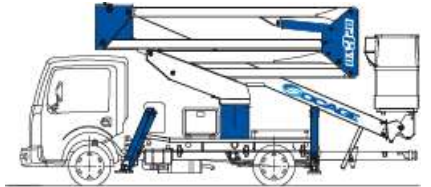
Series SPJ



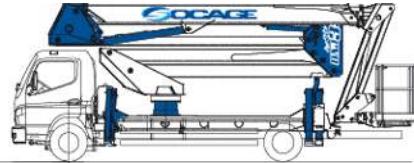
Series A



Series A314



Series D - DA



Series DJ



Series T



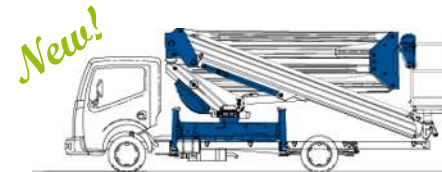
Series TJ - TJJ



Series VT



Series 4



Series E



SERIES SPJ – TRACKED AERIAL PLATFORMS

The SPJ is a tracked access platform (spider) with double-pantograph aerial part.

SPJ315 is able of a maximum working height of 15 m and of an outreach of 7 m (unlimited working area) with 225 kg loading capacity.

SERIES A – ARTICULATED AERIAL PLATFORMS WITHOUT OUTRIGGERS

The A Series are Socage articulated aerial platforms from 10 to 12 m high.

The innovation is that you can use the platform without outriggers.

Benefits: compact, easy to be removed and cheaper aerial platforms.



SERIES A314 – ARTICULATED AERIAL PLATFORMS

The A314 series are articulated aerial platforms, 14 m high. The articulated platforms have small dimensions and weight and they can be mounted on low weight capacity vehicles and on electric vehicles.

Socage offers different types of installation of A314 platform on different vehicles, in order to fulfill the needs of its clients.





SERIES D/DA – DOUBLE ARTICULATED AERIAL PLATFORMS

The DA Series and the new D Series are double articulated aerial platforms from 20 to 28 m high. The aerial part's double articulation and the horizontal outreach allow to overcome obstacles such as buildings' corners and protuberant parts. Being able to avoid building obstacles, this platform is ideal for maintenance works.



SERIES DJ – DOUBLE ARTICULATED AERIAL PLATFORMS WITH JIB

The DJ Series are double articulated aerial platforms from 32 to 37 m high. There are two models: forSte 32DJ and forSte 37DJ.

The final jib permits less linear and more complicated movements.



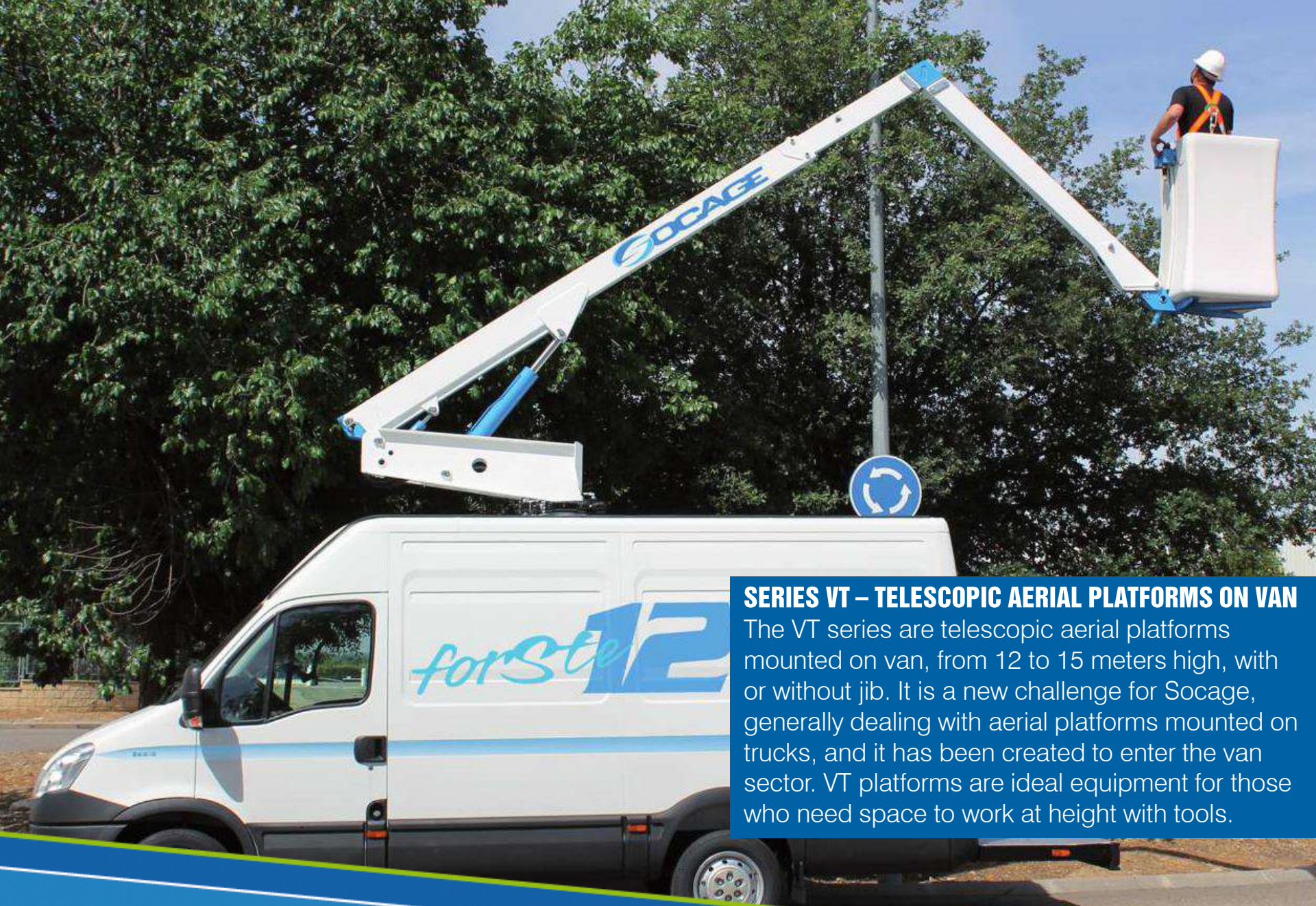
SERIES T – TELESCOPIC AERIAL PLATFORMS
The T Series are telescopic aerial platforms from 14.5 to 20 m high. Telescopic platforms are ideal for road works and maintenance works. Typical users might indeed be electricians and operators of electric plants or power lines, since these platforms are quite compact and when they are operating they don't require a lot of space.

SERIES T/TJJ – TELESCOPIC AERIAL PLATFORMS WITH JIB

The TJ - TJJ series consists of telescopic truck mounted platforms with jib and comprises several models, some equipped with extra jib, with maximum working heights ranging from 30 to 75 m.

The TJ and TJJ Series show the world how innovative and advanced Socage is, a company which is continuously aiming higher!





SERIES VT – TELESCOPIC AERIAL PLATFORMS ON VAN

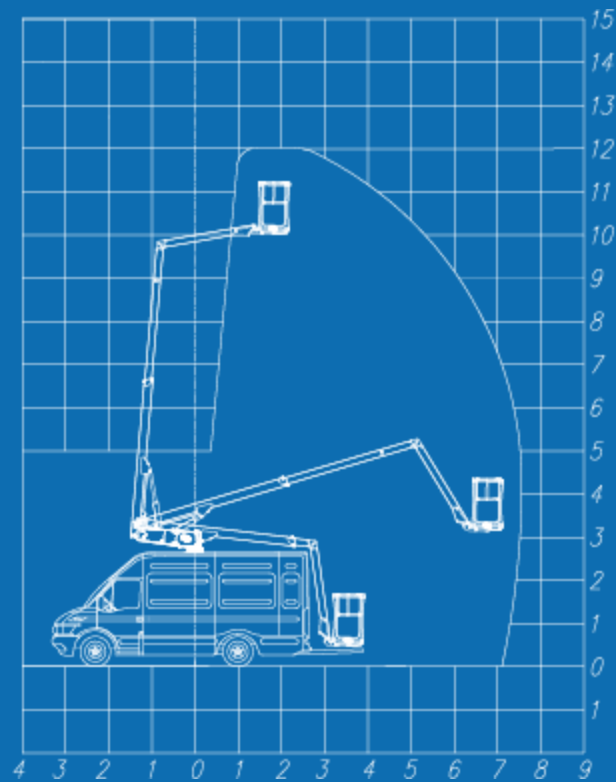
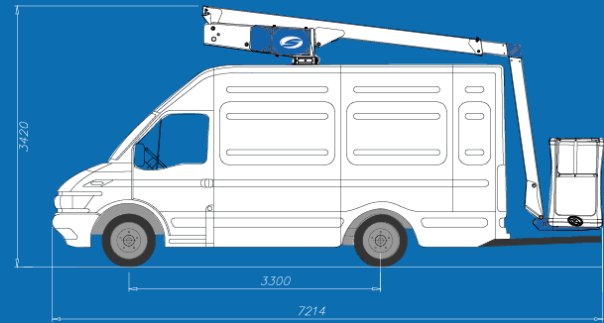
The VT series are telescopic aerial platforms mounted on van, from 12 to 15 meters high, with or without jib. It is a new challenge for Socage, generally dealing with aerial platforms mounted on trucks, and it has been created to enter the van sector. VT platforms are ideal equipment for those who need space to work at height with tools.



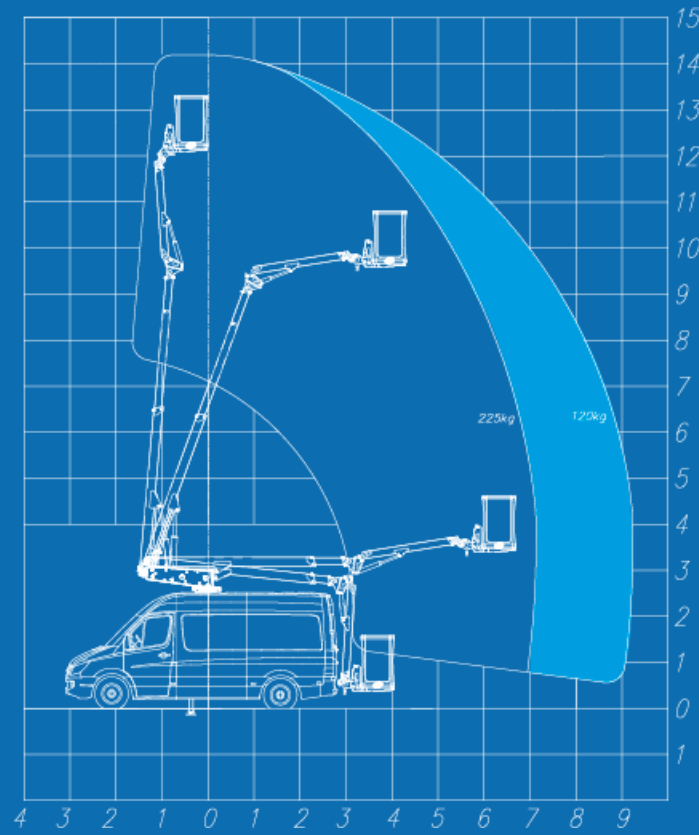
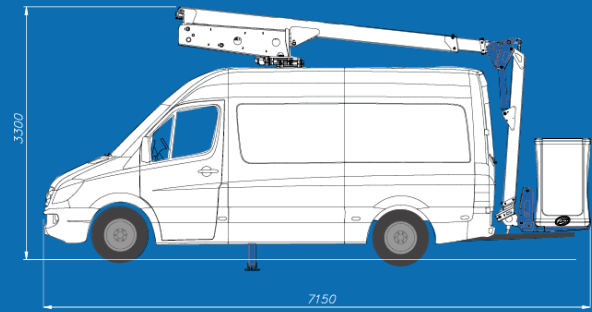
forSto **12VT**

forSto **15VTJ**

for *Ste* **12VT**



for Stee **15VTJ**



SERIES 4 – X FACTOR

The Series 4 is a new goal reached by Socage, made of double articulated and telescopic aerial work platforms from 15 to 24 meters working height.

The distinctive feature, patented by Socage, is the new “X-FACTOR” chassis, with an X-shape indeed, on which the platform is mounted. This brand new chassis with manually extendable outriggers grants advantages both in terms of installation and of total weight – reduced height, longer outriggers extension, lower and better balanced weight.



DA420
ForSte.it

DA422
ForSte.it

DA424
ForSte.it

T415
ForSte.it

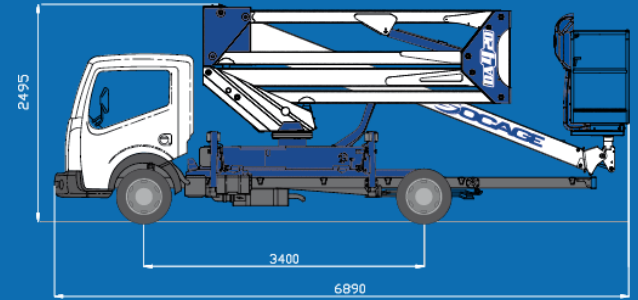
T416
ForSte.it

T418
ForSte.it

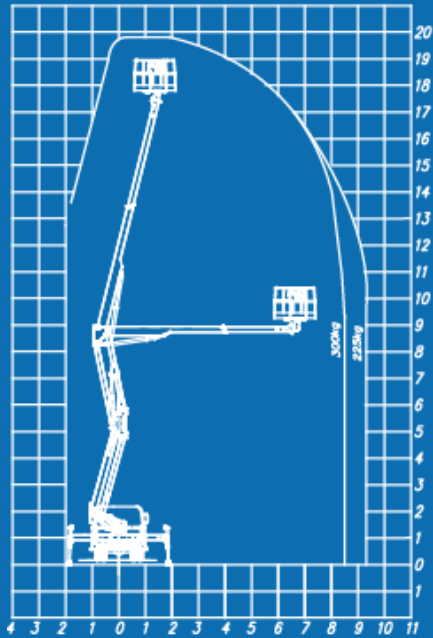
T420
ForSte.it

DA420

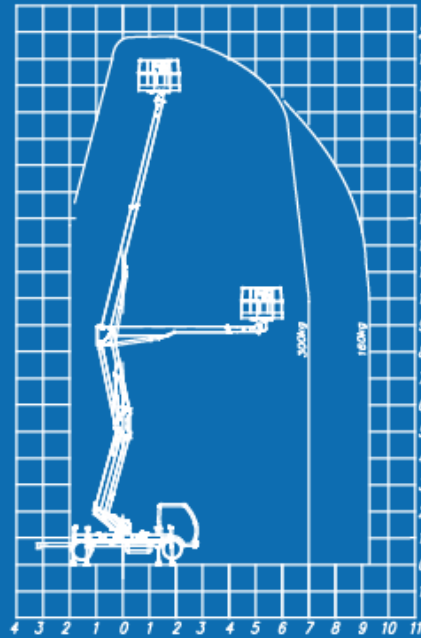
for Ste.it



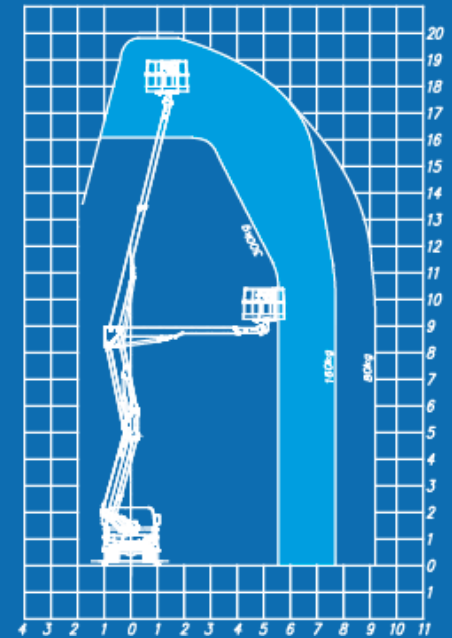
maximum



medium



minimum

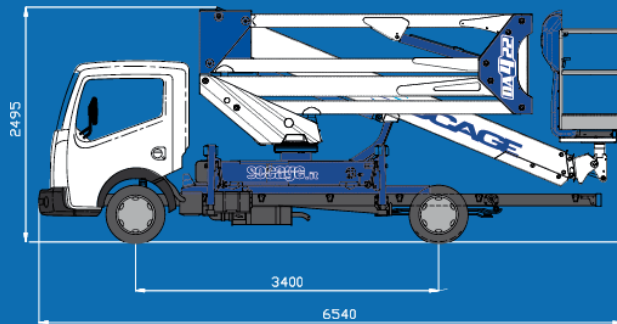


X FACTOR

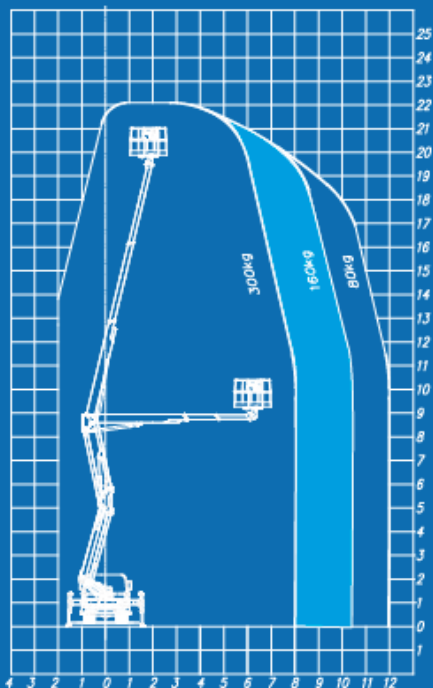
SOGAGE

DA422

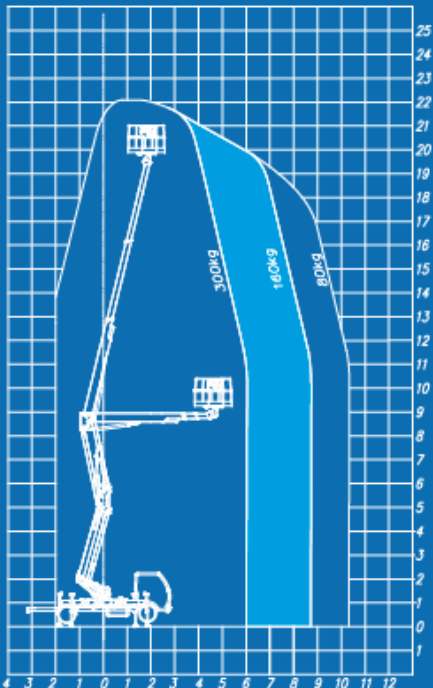
for Ste.it



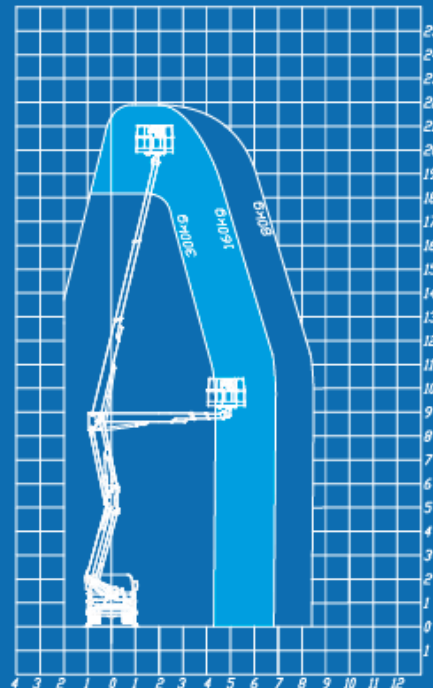
maximum



medium



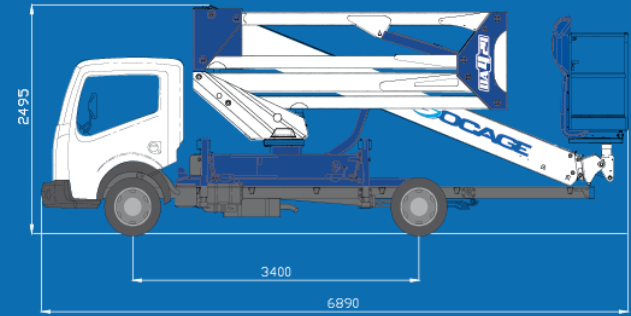
minimum



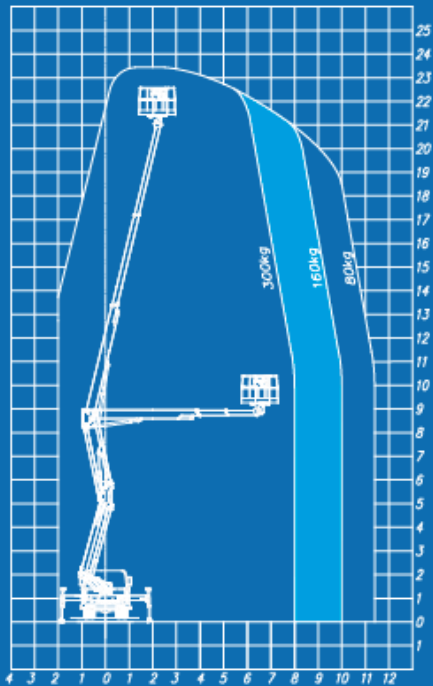
X FACTOR

DA424

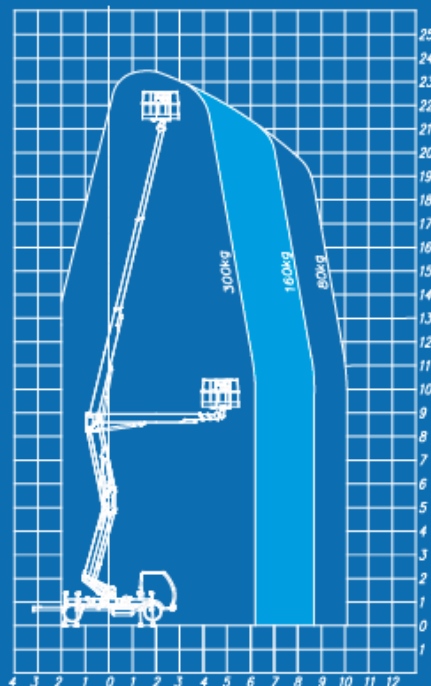
for Ste.it



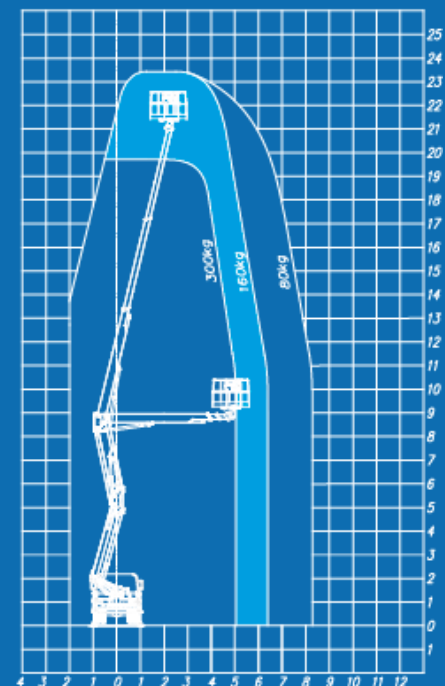
maximum



medium



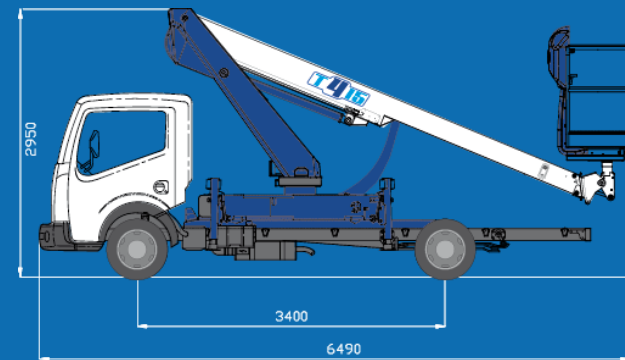
minimum



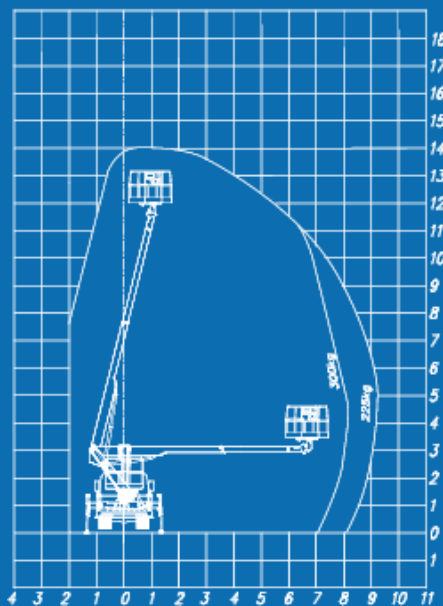
X FACTOR

T415

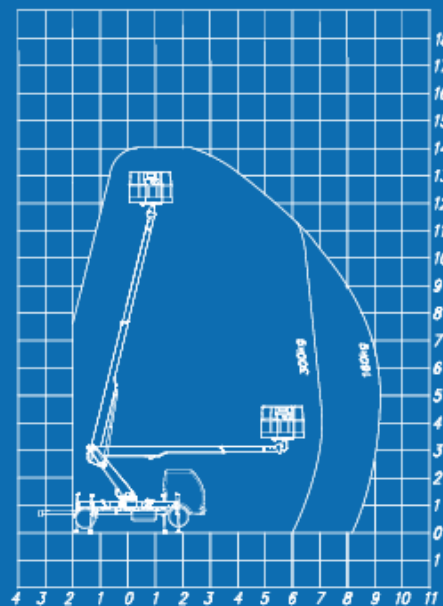
for Stee



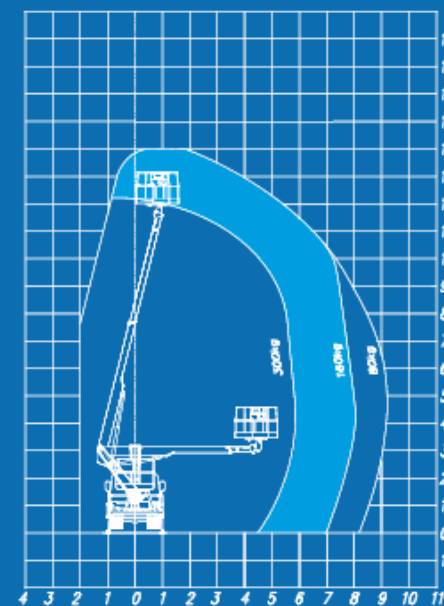
maximum



medium



minimum

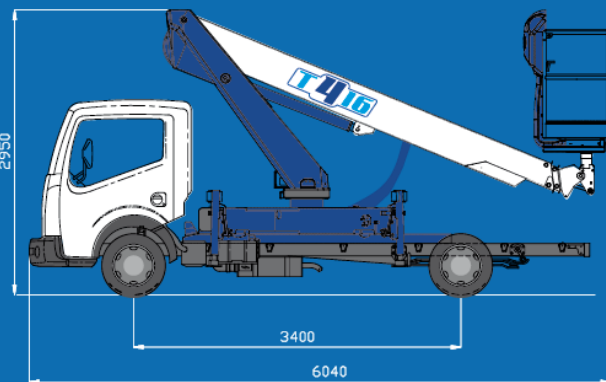


X FACTOR

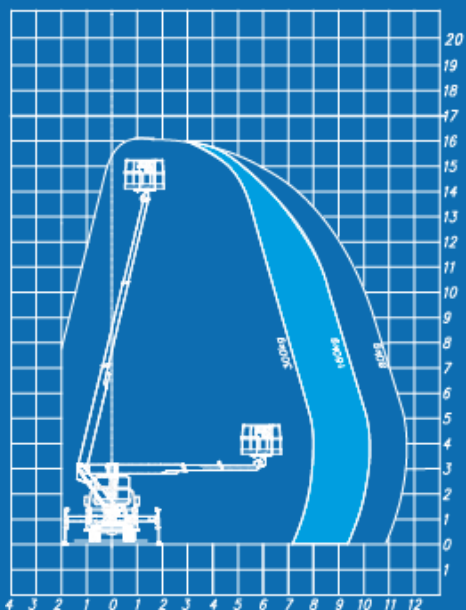
SOCAGE

T416

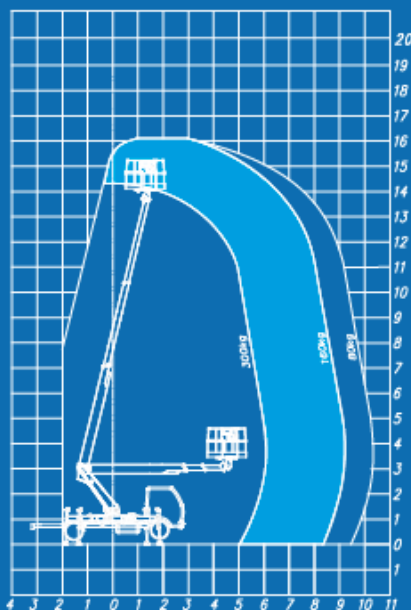
forSte.it



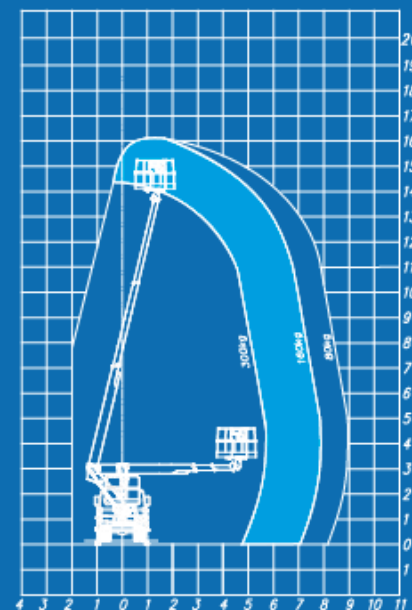
maximum



medium



minimum

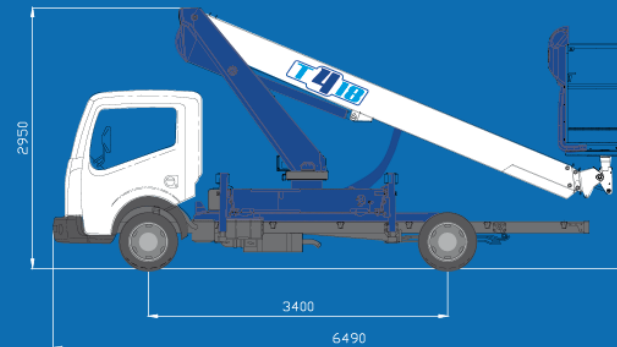


XFACTOR

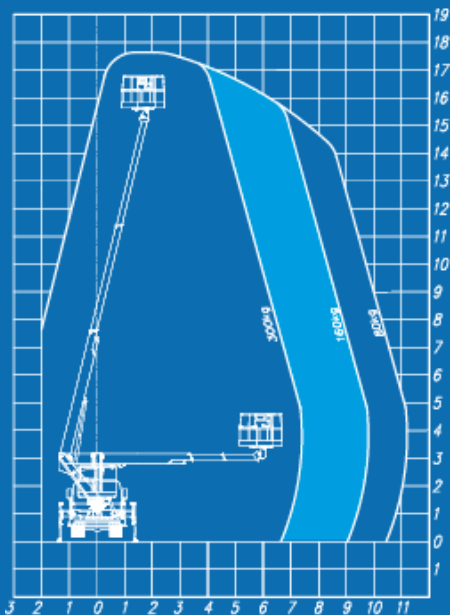
SOCAGE

T418

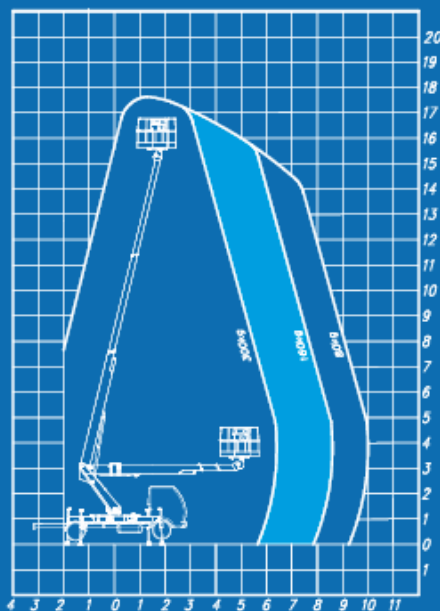
forSte.it



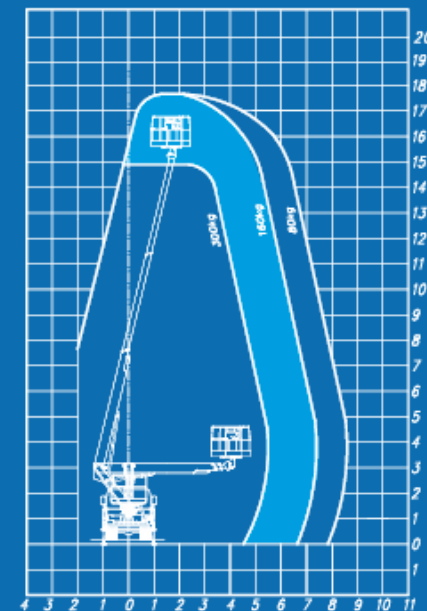
maximum



medium



minimum

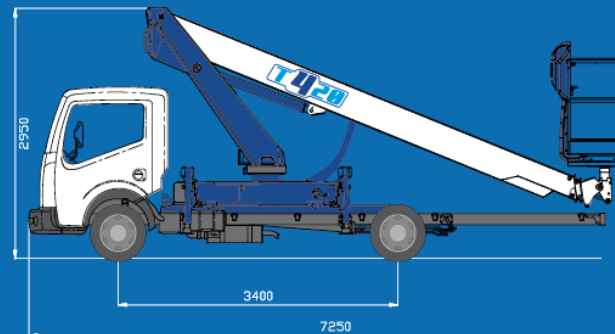


X FACTOR

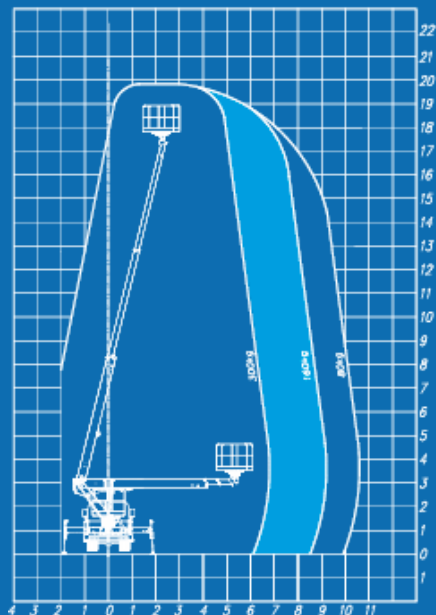
SOCAGE

T420

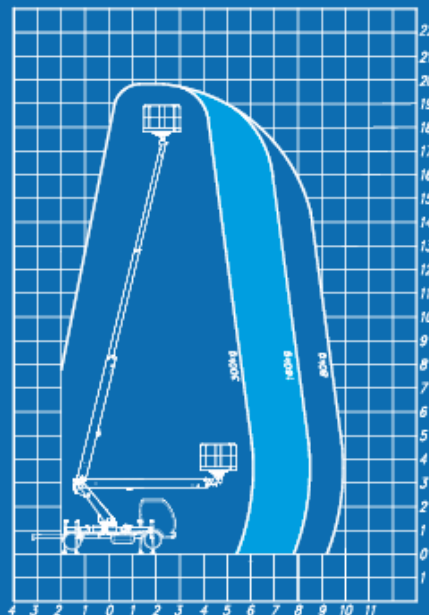
forSte.it



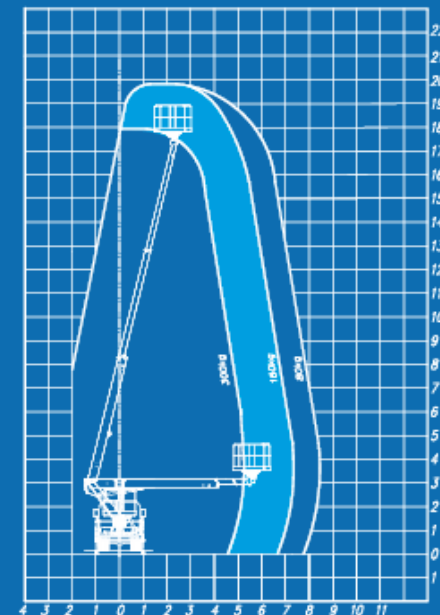
maximum



medium



minimum



XFACTOR

SOCAGE



SERIES E – AERIAL PLATFORMS WITH ELETRIC COMANDS

The E Series (electric) includes aerial work platforms with electric controls, mounted on an X-shaped chassis (the so-called X-Factor chassis).

Almost all the structural components of these platforms are made of highly performant steel profiles, which had been studied and realized in collaboration with one of the worldwide major steel producer. This means lighter and more performant platforms.





for Sale **21D_E**

for Sale **21DJ_E**

for Sale **24D_E**

for Sale **24DJ_E**

for Sale **28D_E**

for Sale **16T_E**

for Sale **20T_E**

for Sale **20TJ_E**

for Sale **23T_E**



THANKS TO EVERYBODY!

SOCAGE
PIATTAFORME AEREE DA 10 A 75 METRI

forSte

SOCAGE